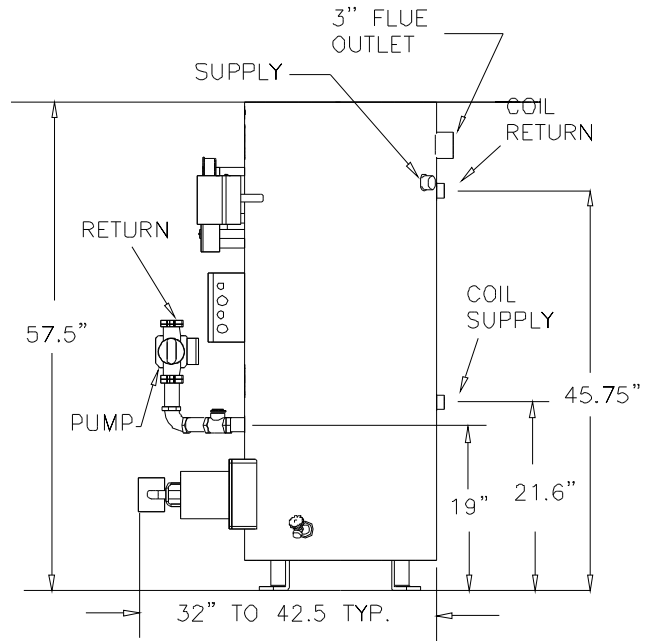
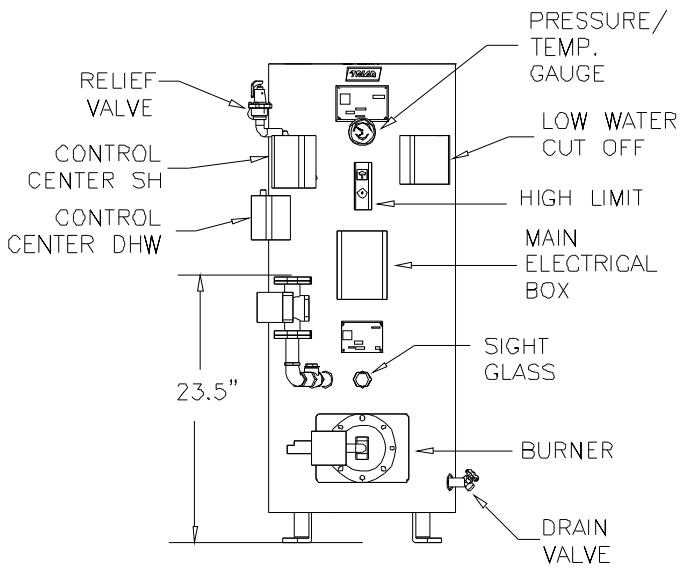
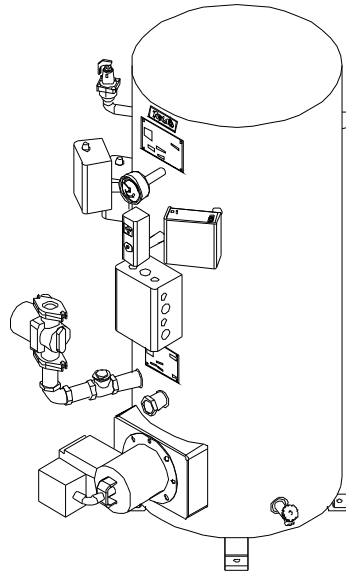
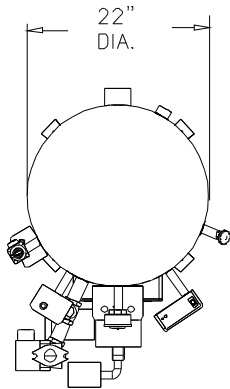




West Chicago, IL 60185
 Phone: 630-562-2700
www.triadboiler.com

TRIAD BOILER SYSTEMS, INC.
SERIES 300 COMBINATION BOILER
SPACE HEATING and DOMESTIC HOT WATER



Note: Dimensions subject to change without notice.
 For ATM boiler, flue is 9" out the top, 6" if oil burner.



TRIAD BOILER SYSTEMS, INC.
SERIES 300 BOILER (Model 300 SH-C-DHW)

The Series 300 is a steel vertical firetube packaged boiler with a water-backed combustion chamber equipped with high-efficiency turbulators. Boilers come fully wired, and fit through a 32" doorway.

STANDARD EQUIPMENT:

- Forced Draft or Atmospheric Burner
- Circulating Pump – Vessel Water
- Circulating Pump – Coil Water
- Copper coil – 60' long, 1.25" diameter
- Control Centers for SH and DHW
- Low Water Cut-Off
- Combination Pressure/Temperature Gauge
- Operating Light
- Relief Valve
- Second Safety High Limit with Manual Reset
- Vessel Pressure Rating of 125 PSI

OPTIONAL EQUIPMENT:

- Gas Fired (NG or Propane), Oil Fired, or Dual Fuel Burners
- UL and FM Compliance
- Sealed Combustion Air Intake
- Barometric Dampers
- LWCO with Manual or Auto Reset, Test Light, and/or Test Button

SPECIFICATIONS:

<i>Input BTU/Hr</i>	<i>Output BTU/Hr</i>	<i>Efficiency</i>	<i>GPM @ °F Rise Coil Side</i>	<i>GPM @ °F Rise Vessel Side</i>
210,000 ATM	171,990	82.0%	3.4 @ 100°F	17.0 @ 20°F
300,000 ATM	240,400	80.1%	4.8 @ 100°F	23.9 @ 20°F
210,000 HEP	182,280	86.8%	3.6 @ 100°F	18.1 @ 20°F
300,000 HEP	255,000	85.0%	5.2 @ 100°F	25.8 @ 20°F
375,000 HEP	316,000	84.3%	6.4 @ 100°F	25.8 @ 25°F

Note: Typical for Natural Gas. - Oil or LP burner data may vary.

APPLICATIONS:

- Space Heating and Process Water – typically 130°F - 210°F
- Domestic Hot Water – typically 120°F - 180°F

CONNECTIONS:

- Coil Supply & Return Openings – 1.25"
- Vessel Supply - 1.5", Vessel Return - 1.25"

CONTROL:

The Series 300 can operate on its own controls, but a TRIAD microprocessor control panel is recommended for sequencing more than two boilers to minimize run-time and fuel usage.

POWER:

- 120V, 60Hz, Single Phase, fused for 10 (ATM burner) or 20 (Power burner) amps.
- Min / Max gas pressure, typically 5" / 14" WC.

WEIGHT/VOLUME:

- Shipping Weight - 750 lbs.
- Operating Weight - 1040 lbs.
- Vessel Water Volume - 35 Gallons

Factory built copper or steel mains available upon request.

TRIAD BOILER REPRESENTATIVE:

TRIAD Boiler Systems, Inc.

West Chicago, IL 60185
 Phone: 630-562-2700
 Fax: 630-562-2800
 Web: www.com.com