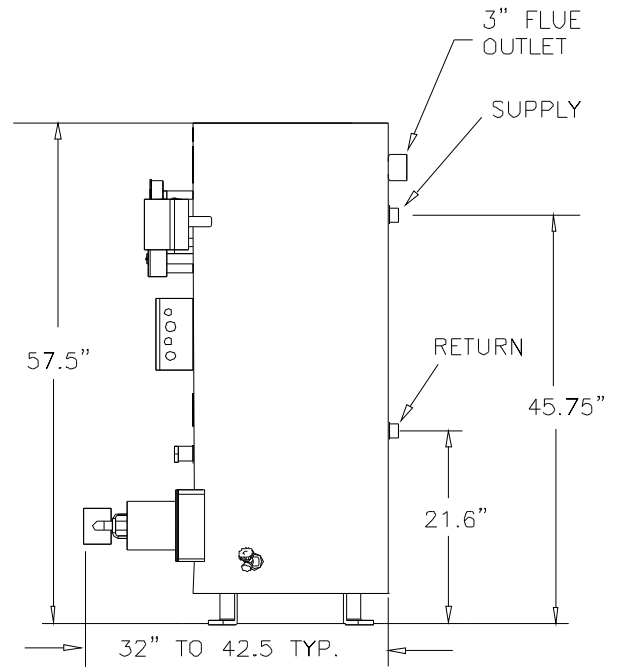
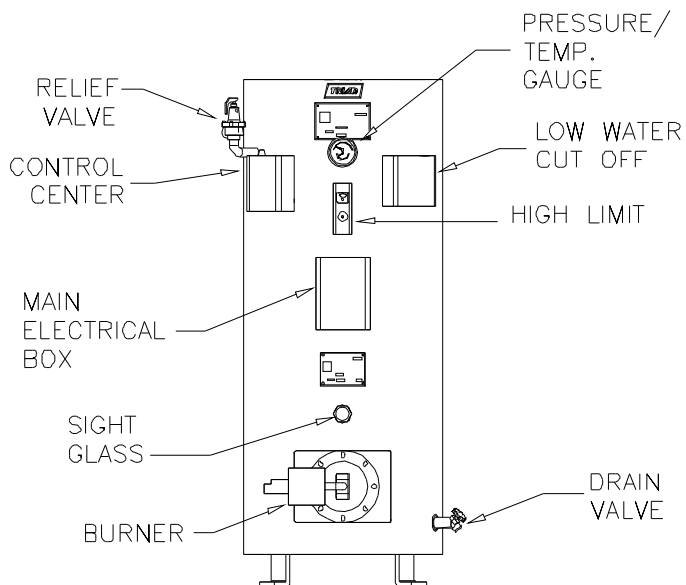
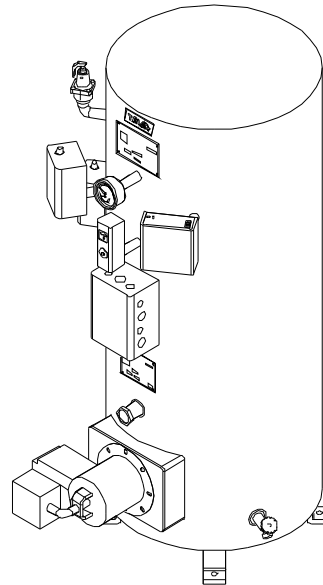
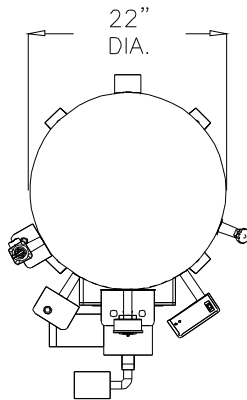




West Chicago, IL 60185
Phone: 630-562-2700
www.triadboiler.com

TRIAD BOILER SYSTEMS, INC. SERIES 300 LOW TEMPERATURE BOILER



Note: Dimensions subject to change without notice.
For ATM boiler, flue is 9" out the top, 6" if oil burner.



TRIAD BOILER SYSTEMS, INC. SERIES 300 LOW TEMPERATURE BOILER (Model 300 LT)

The Series 300 is a steel vertical firetube packaged boiler with a water-backed combustion chamber equipped with high-efficiency turbulators. Boilers come fully wired, and fit through a 32" doorway.

STANDARD EQUIPMENT:

Forced Draft or Atmospheric Burner
Circulating Pump for Coil
Copper coil – 60' long, 1.25" diameter
Honeywell Control Center
Low Water Cut-Off
Combination Pressure/Temperature Gauge
Operating Light
Relief Valve
Second Safety High Limit with Manual Reset
Vessel Pressure Rating of 125 PSI

OPTIONAL EQUIPMENT:

Gas Fired (NG or Propane), Oil Fired, or Dual Fuel Burners
UL and FM Compliance
Sealed Combustion Air Intake
Barometric Dampers
LWCO with Manual or Auto Reset, Test Light, and/or Test Button

SPECIFICATIONS:

<i>Input BTU/Hr</i>	<i>Output BTU/Hr</i>	<i>Efficiency</i>	<i>GPM @ °F Rise</i>
210,000 ATM	171,990	82.0%	6.8 @ 50°F
300,000 ATM	240,400	80.1%	9.5 @ 50°F
210,000 HEP	182,280	86.8%	7.3 @ 50°F
300,000 HEP	255,000	85.0%	10.3 @ 50°F
375,000 HEP	316,000	84.3%	12.9 @ 50°F

Note: Typical for Natural Gas. - Oil or LP burner data may vary.

APPLICATIONS:

Domestic Hot Water – typically 60°F - 130°F

CONNECTIONS:

Supply & Return Openings – 1.25"

CONTROL:

The Series 300 can operate on its own controls, but a TRIAD microprocessor control panel is recommended for sequencing more than two boilers to minimize run-time and fuel usage.

POWER:

120V, 60Hz, Single Phase, fused for 10 amps (ATM burner) or 20 amps (Power burner).
Min / Max gas pressure typically 5" / 14" WC.

WEIGHT/VOLUME:

Shipping Weight - 750 lbs.
Operating Weight - 1040 lbs.
Vessel Water Volume - 35 Gallons

Factory built copper or steel mains available upon request.

TRIAD BOILER REPRESENTATIVE:

TRIAD Boiler Systems, Inc.

West Chicago, IL 60185
Phone: 630-562-2700
Fax: 630-562-2800
Web: www.com.com