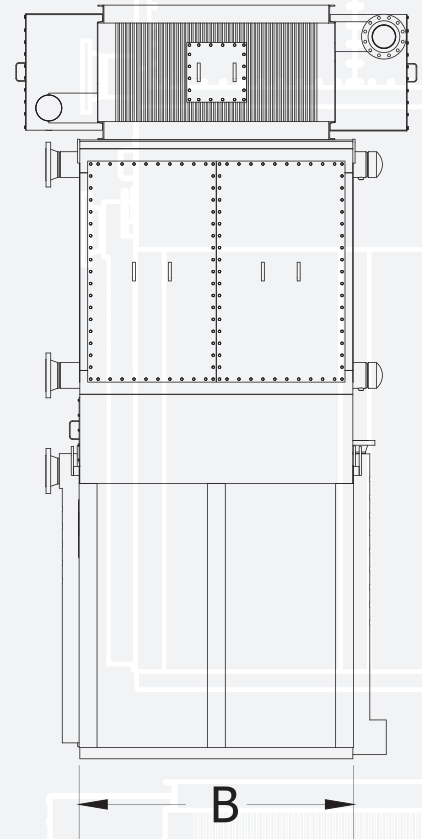
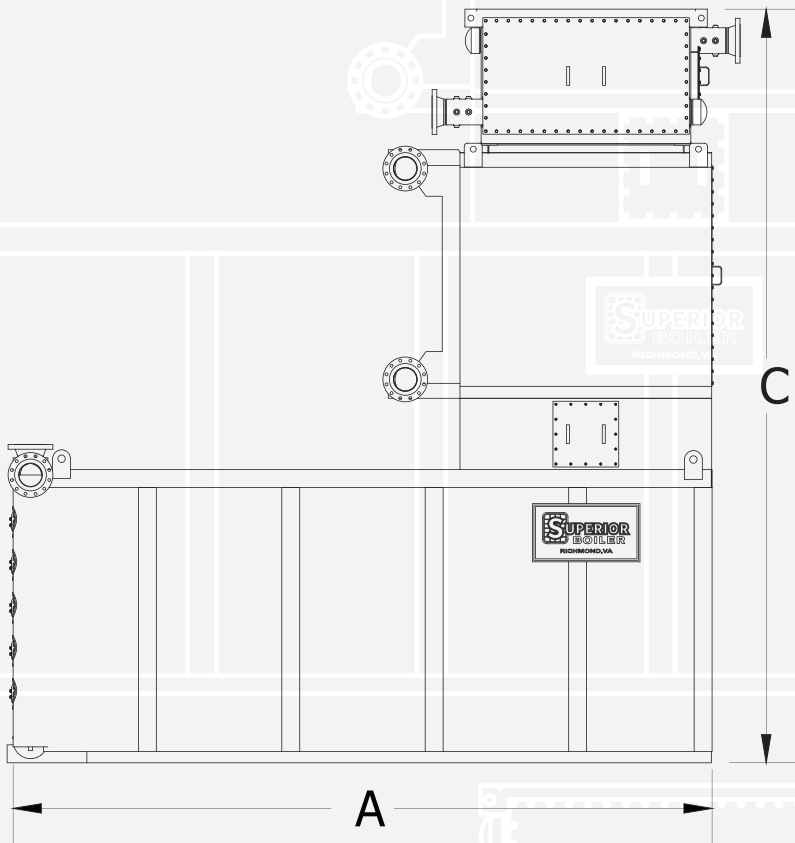


**SUPERIOR**  
**BOILER**  
BUILT TO **OUTPERFORM**



**LAKOTA**

**LAMONT HTHW GENERATOR**



- + High temperature hot water generator
- + Offered in two models:
  - FCM** – furnace convection module
  - FCI** – furnace convection integral
- + Square furnace allows uniform heat distribution and low emissions
- + Balanced flow in all sections of the generator
- + Capacities from 20 - 250 MM btu/hr output
- + Design pressure up to 1,200 psig
- + Gas outlet configuration: top or rear

CAPACITY MM BTU/HR	LENGTH A	WIDTH B	HEIGHT C
-	in.	in.	in.
20	170	84	205
40	239	92	234
60	254	104	258
80	266	111	272
100	284	123	295



Superior Boiler leads the way in the design and manufacture of industrial and commercial boilers for all market segments. With over 100 years' experience in the industry, our customers don't just trust what we build, they trust the people who build them. Complete boiler systems built to exacting standards, **made in the USA**, and installed throughout the world.